

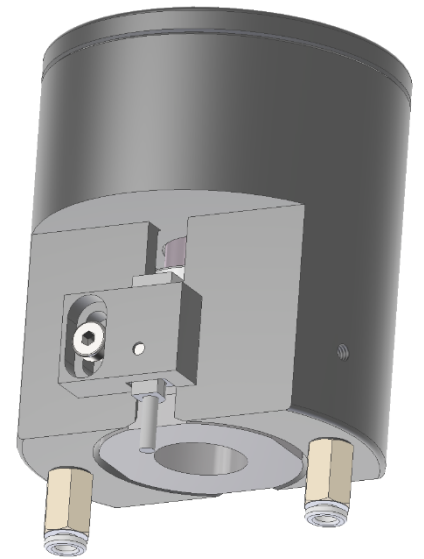
# HV Series Pneumatic Actuator

Engineered in Switzerland

## Pneumatic Actuator

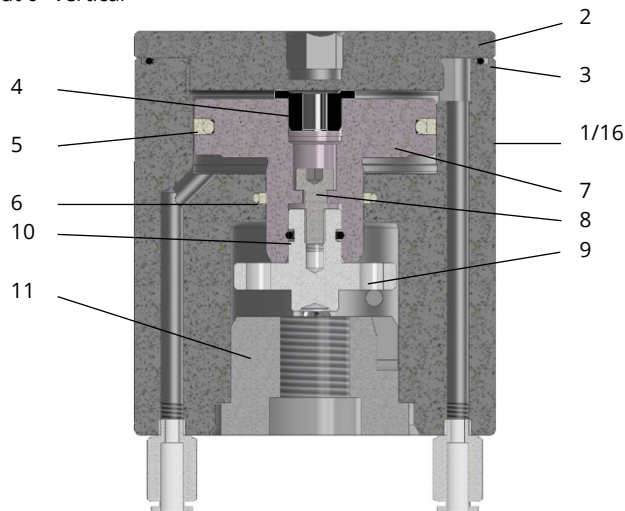
Line Pressure	8-12bar
Dual Indication	Via Open & Close sensor
High Performance	Suitable for steel tip valves
Fully Machined	High grade Air Craft Aluminium
Long Life	> MBF 1'000'000 cycles
Temperature Range	- 25 to +120 Deg. Celsius*
Min. closing Time	> 100mS
Open/close Position	Standard = Pressureless closed (Open or undefined available)

\* Higher Temperature Range on request

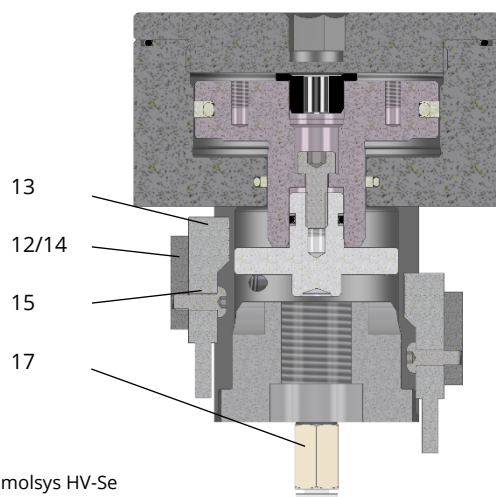


## Material

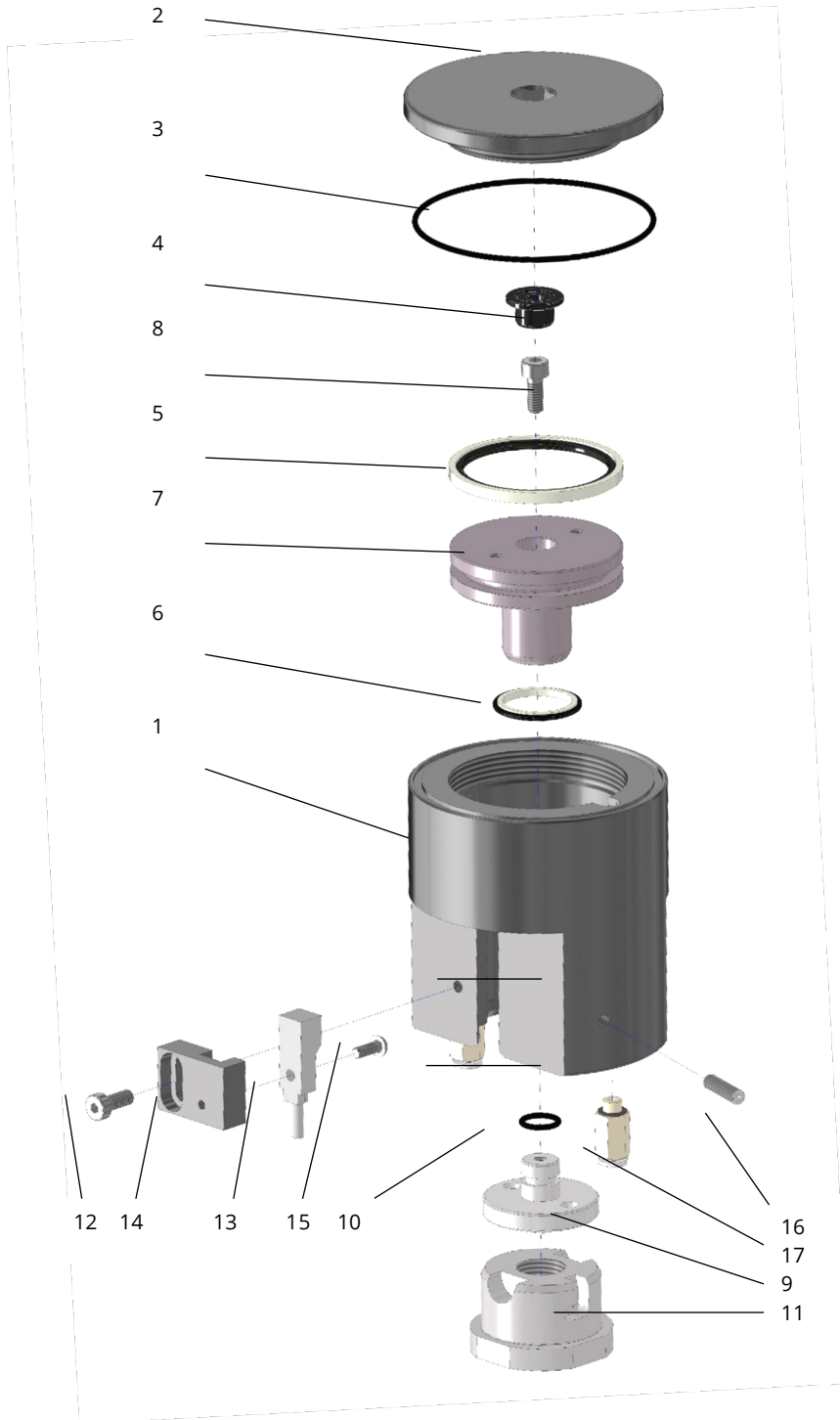
cut 0° vertical



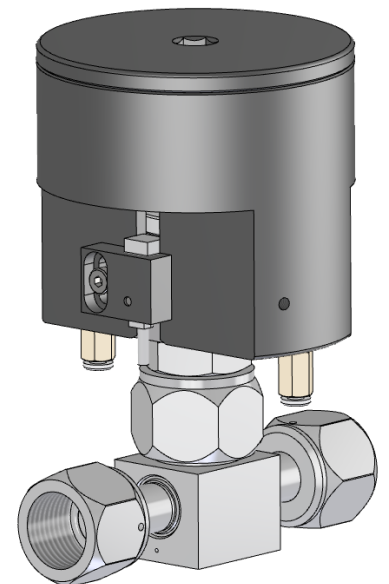
cut 90° vertical

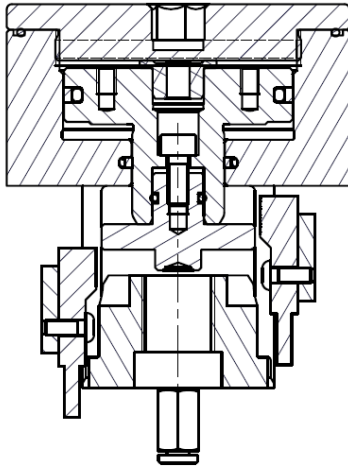
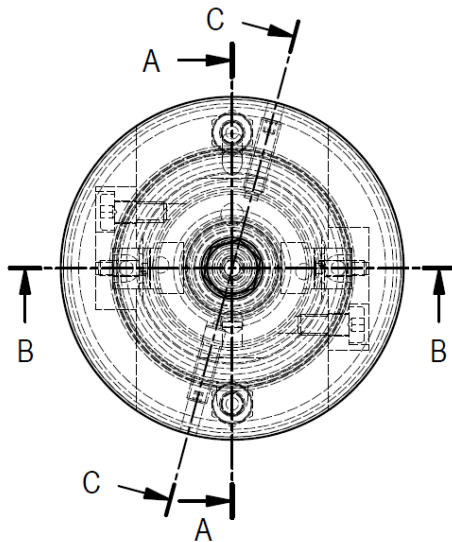
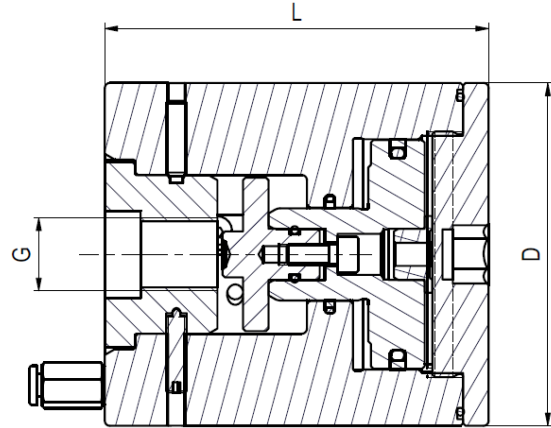
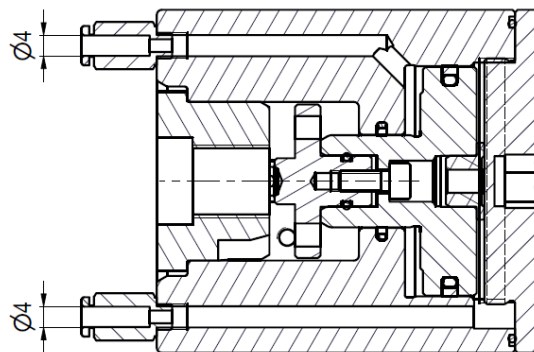


Actuator Components		Material
1	Body	EN AW-7075
2	Lid	EN AW-7075
3	Lid O-Ring	NBR
4	Stop Pin	POM
5	Piston Gasket Large	NBR / PTFE
6	Piston Gasket Small	NBR / PTFE
7	Piston	EN AW-7075
8	Piston Screw	Stainless Steel – A2
9	Detector Plunger	1.2826
10	Detector Plunger O-Ring	NBR
11	Valve Socket	1.4112
12	Adjustor Screw	EN AW-7075
13	Sensor	-
14	Adjustor	Stainless steel – A2
15	Sensor Screw	Stainless steel – A2
16	Spring Screw	Stainless steel – A2
17	Pneumatic Connector	Brass / PP



Actuator Component	
1	Body
2	Lid
3	Lid O-Ring
4	Stop Pin
5	Piston Gasket Large
6	Piston Gasket Small
7	Piston
8	Piston Screw
9	Detector Plunger
10	Detector Plunger O-Ring
11	Valve Socket
12	Adjustor Screw
13	Sensor
14	Adjustor
15	Sensor Screw
16	Spring Screw
17	Pneumatic Connector



**B-B (1:1)**

**C-C (1:1)**

**A-A (1:1)**


Basic Order Number		Material		Dimensions in. (mm) including valve	
		Body/ Piston	Port	Ø	h
PA-001-025-000-3-3-0-N-NOGE	¼" smolsys	Aluminum 7075	Stainless Steel 1.4112	2.63 (67)	4.6 (116.9)
PA-001-050-000-3-3-0-L-NOGE	½" smolsys	Aluminum 7075	Stainless Steel 1.4112	3.23 (82)	5.29 (134.5)