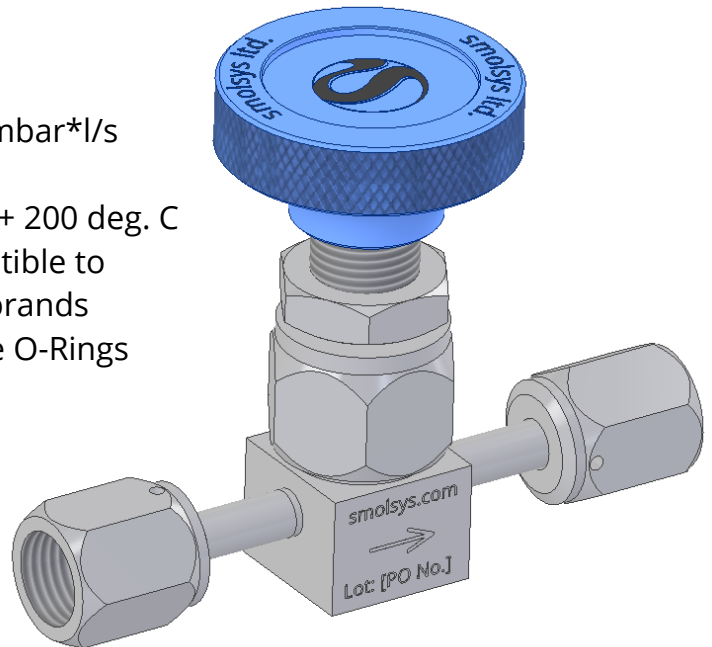


# Tritium Compatible High Vacuum Bellow Valve

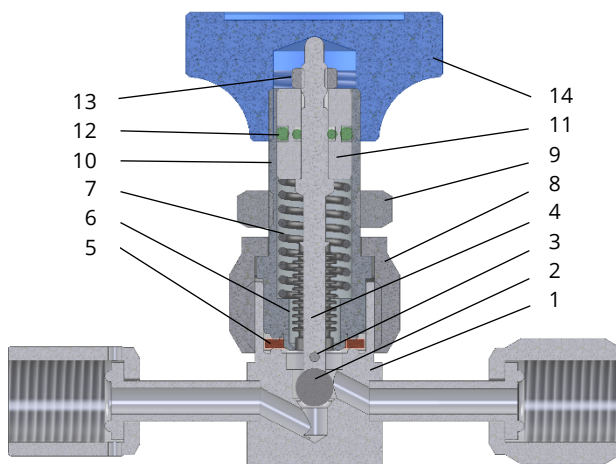
Engineered in Switzerland

## HV Series

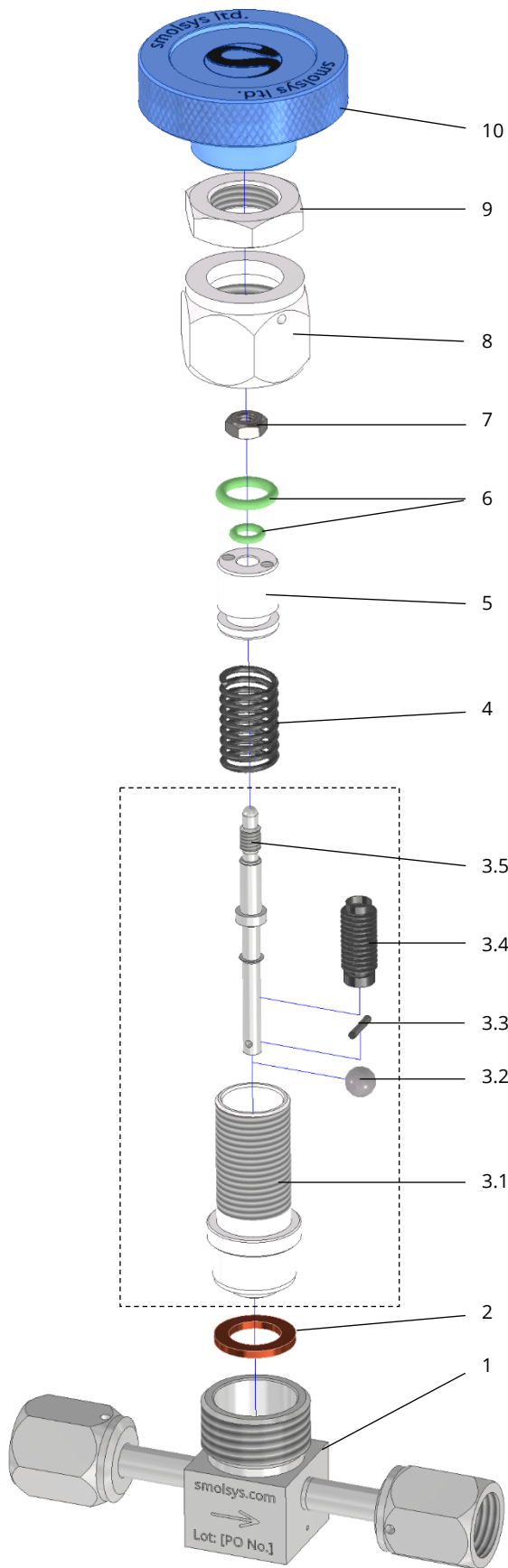
Leak rate  $4 \times 10^{-9} \text{ mbar} \cdot \text{l/s}$   
 Maximum working pressure 40 bar  
 Working Temperature Range - 50 to + 200 deg. C  
 End Connectors Compatible to other brands  
 Dual Safety by Spindle O-Rings  
 All stainless Steel



## Material



Component	Material	
1	Body	1.4404 - 316L
2	«Smolball»	1.3505 Chrome Steel
3	Opening stop	Stainless steel - A1
4	Stem	1.4404 - 316L
5	Gasket	Copper
6	Bellows	1.4541
7	Spring	1.4310
8	Union nut	1.4404 - 316L
9	Nut	1.4404 - 316L
10	Slider base	1.4404 - 316L
11	Sealing sleeve	1.4404 - 316L
12	O-Rings	FKM
13	Nut	Stainless steel - A2
14	Handle	Aluminium

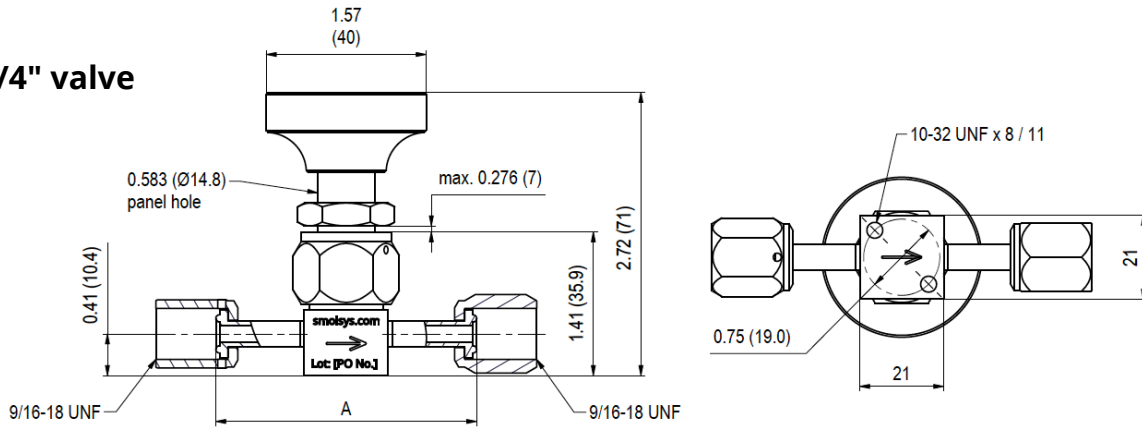


### Valve Components

1	Body
2	Gasket
3.1	Slider base
3.2	«Smolball»
3.3	Opening stop*
3.4	Bellow
3.5	Stem
4	Spring
5	Sealing sleeve
6	O-Rings
7	Nut
8	Union nut
9	Nut
10	Handle with recess for marker

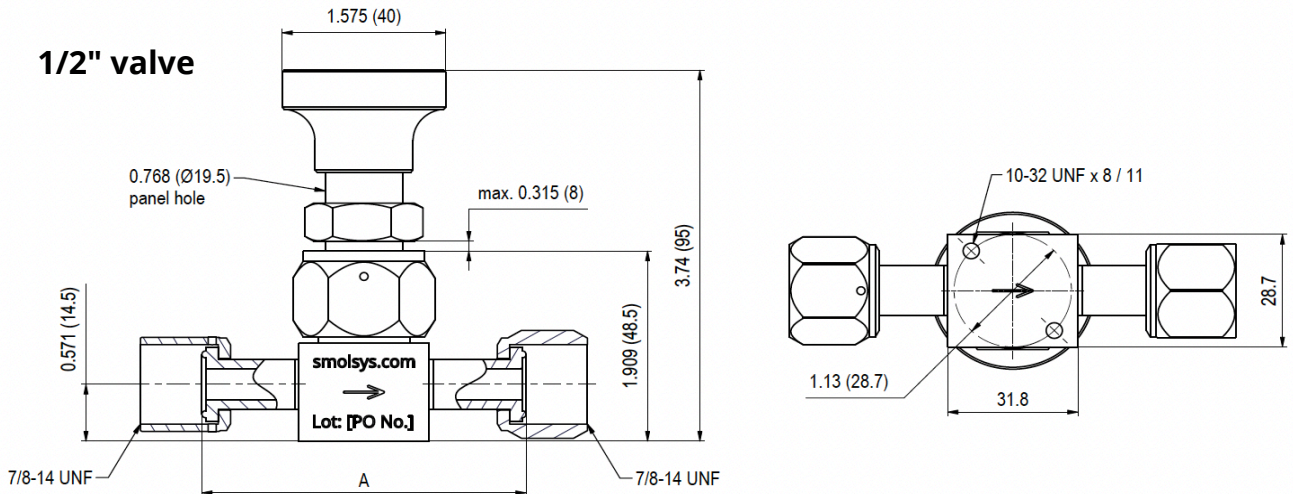
\* Missing with the 1/2" valve

### 1/4" valve



Basic Order Number		Orifice in. (mm)		Cv	Dimension in. (mm)
		Body	Port		A
HV-001-025-025-110-N	1/4" smolsys	0.15	0.157		65.3
HV-001-025-025-110-L		(3.8)	(4.0)		93.5

### 1/2" valve



Basic Order Number		Orifice in. (mm)		Cv	Dimension in. (mm)
		Body	Port		A
HV-001-050-050-110-N	1/2" smolsys	0.303	0.318		79.2
		(7.7)	(8.0)		