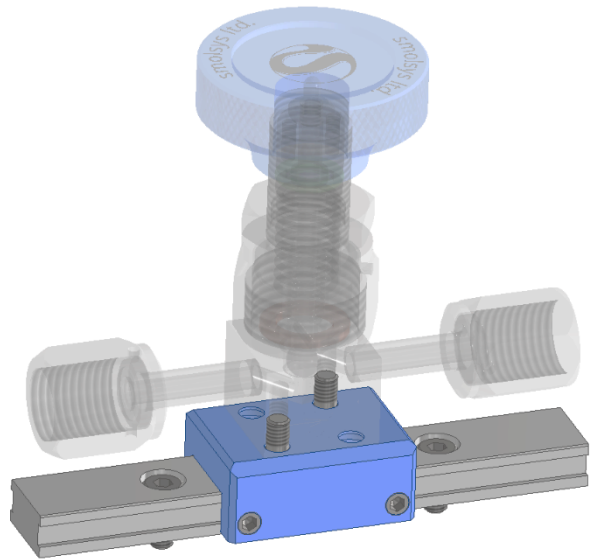


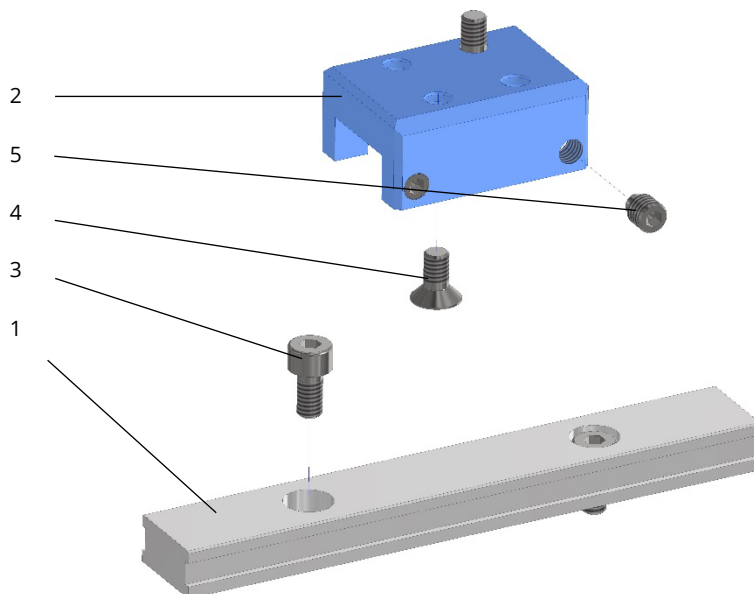
# Valve Rail-System

Engineered in Switzerland

## Mounting Rail & Rail Block

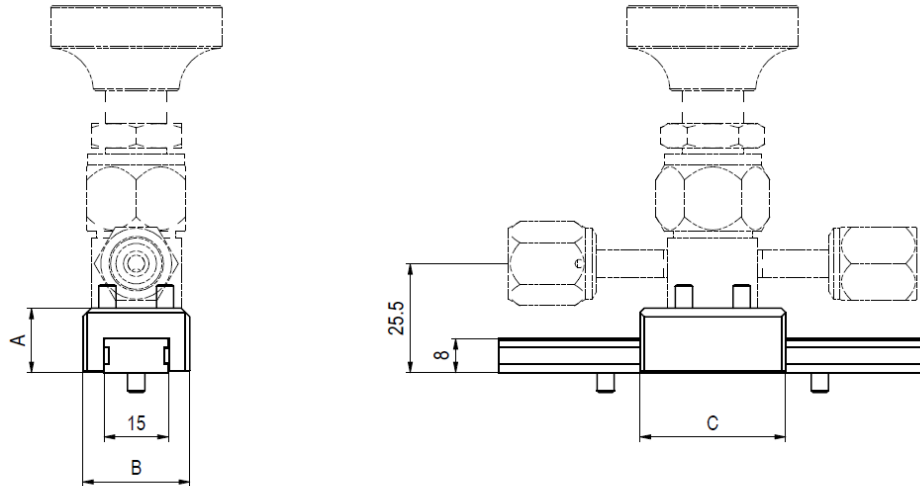


### Components and Materials

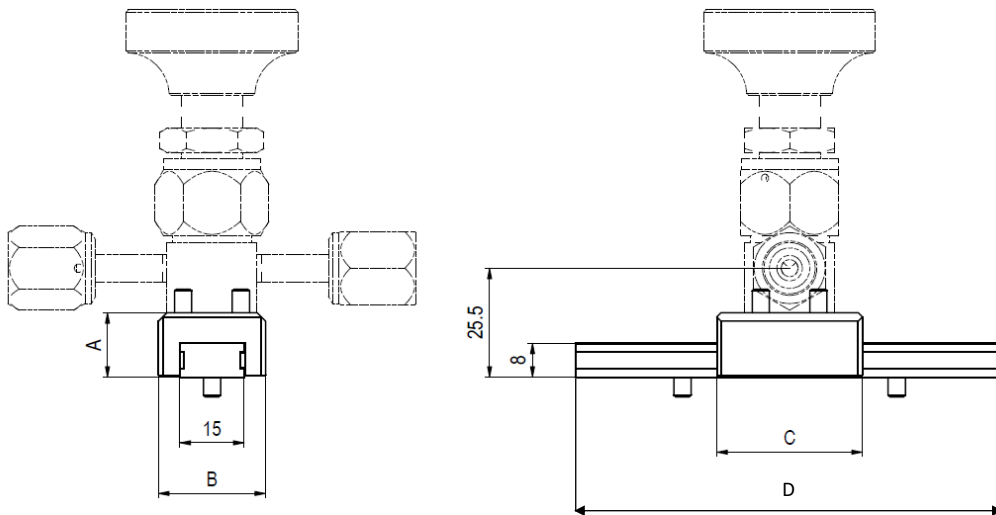


Component	Material
1 Mounting Rail	EN AW-7075
2 Rail Block	EN AW-7075
3 Screw M3 Allen Key size 3	Stainless Steel – A2
4 Screw M3 Allen Key size 2.5	Stainless Steel – A2
5 Screw M3 Allen Key size 2.5	Stainless Steel – A2

Valve in rail direction



Valve across the rail



Basic Ordering Number		Mount-Height	Width	Length
		A [mm]	B [mm]	C (D) [mm]
MO-010-100-000-0-0-0-N	Mounting Rail	8	15	100
MO-010-200-000-0-0-0-N	Mounting Rail	8	15	200
MO-010-500-000-0-0-0-N	Mounting Rail	8	15	500
MO-020-025-000-0-0-0-N	Rail Block 1/4"	11	25	34
MO-020-050-000-0-0-0-N	Rail Block 1/2"	15.5	34	42